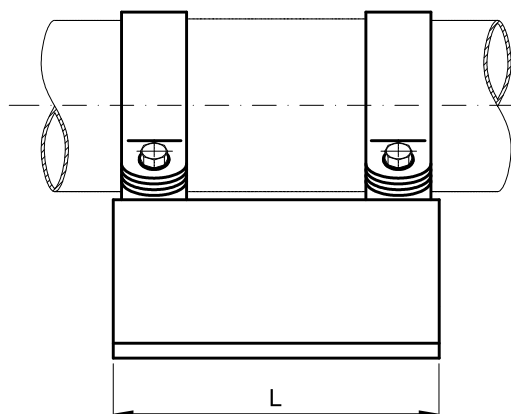
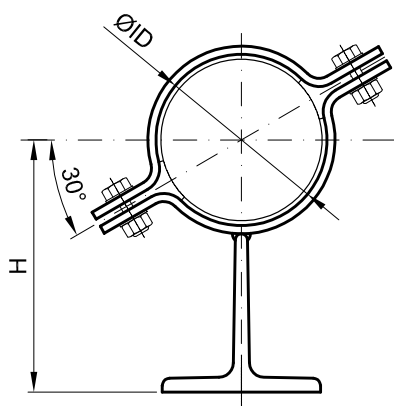


Company: _____
Comm.-No.: _____
Coating type: _____

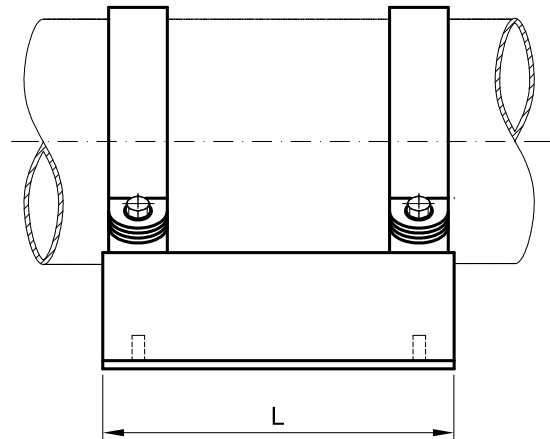
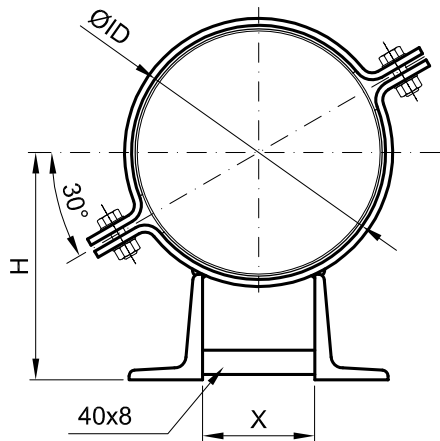


DN	25	32	40	50	65	80	100	125	150	200
H [mm]	127	130	135	140	148	157	167	180	192	218
Profile	T 100	T 100	T 100	T 100	T 100	T 100	T 100	T 100	T 100	T 100
L [mm]	250	250	250	250	250	250	300	300	300	300
Clamp profile [mm]	30x5	30x5	40x6	40x6	40x6	50x8	50x8	50x8	50x8	50x8
Weight [kg]	4,8	4,9	5,5	5,6	5,7	7,2	8,4	8,9	9,4	10,4
Ø WN 8251										
Piece										

Attention: Length H is only applicable to type K– PN10 pipe with 3 mm rubber. With different pipe types this length can change slightly.

Clamp diameter = see 8251-WN-en

Company: _____
Comm.-No.: _____
Coating type: _____

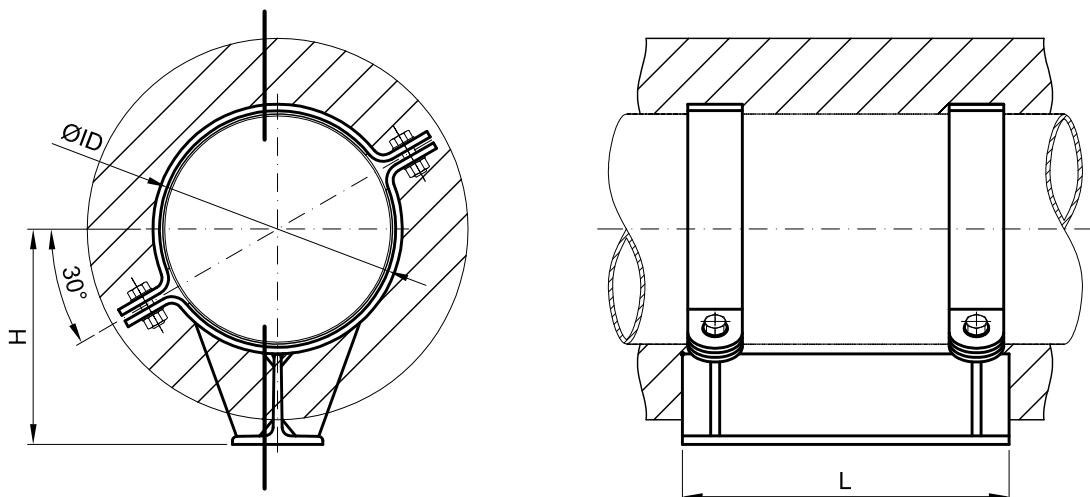


DN [mm]	250	300	350	400	450	500	600
H [mm]	244	270	298	324	350	376	428
Profile	L120x80x8	L120x80x8	L120x80x8	L120x80x8	L120x80x8	L120x80x8	L120x80x8
L [mm]	350	350	350	400	400	400	400
X [mm]	147	161	173	185	196	206	225
Clamp profile [mm]	60x8	60x8	70x10	70x10	70x10	70x10	70x10
Weight [kg]	17,9	20,6	26,8	28,8	32,1	33,8	37,5
Ø ID WN 8251							
Piece							

Attention: Length H is only applicable to type K – PN10 pipe with 3 mm rubber. With different pipe types this length can change slightly.

Clamp diameter = see WN 8251

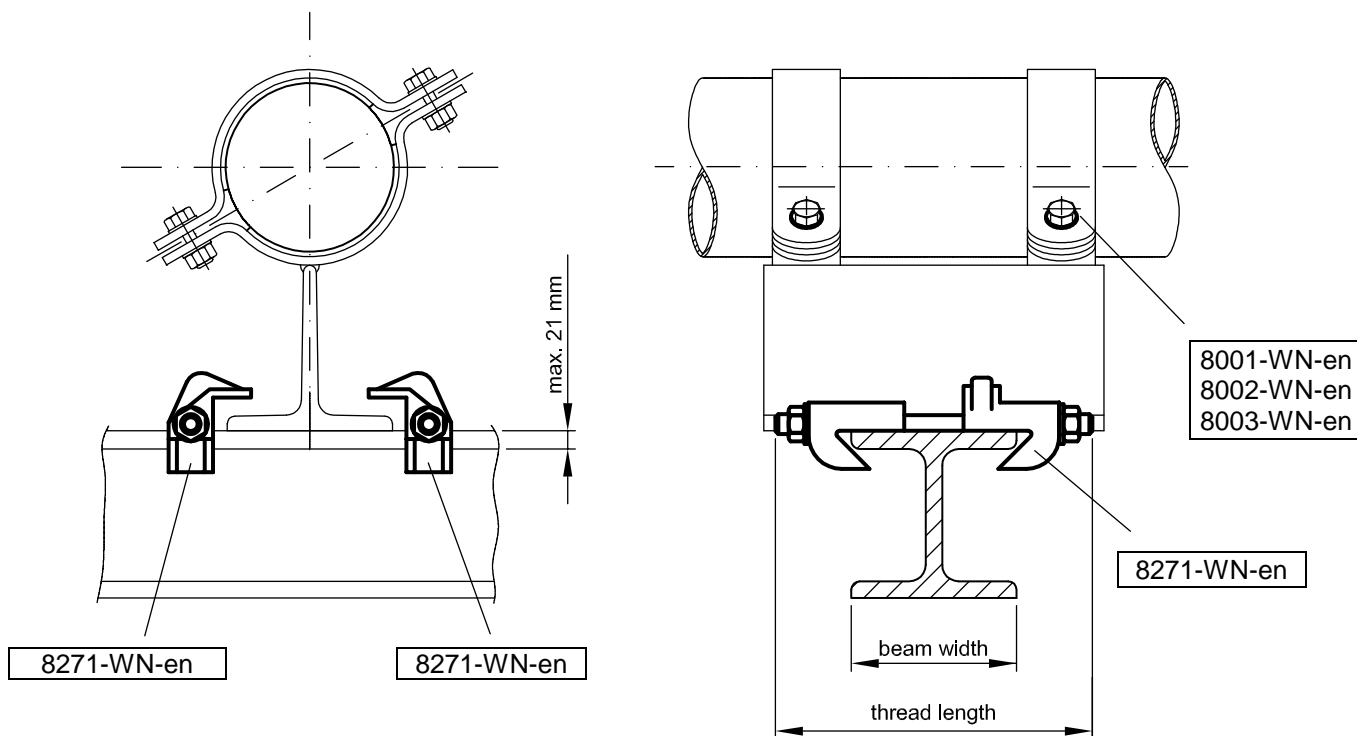
Company: _____
Comm.-No.: _____
Coating type: _____



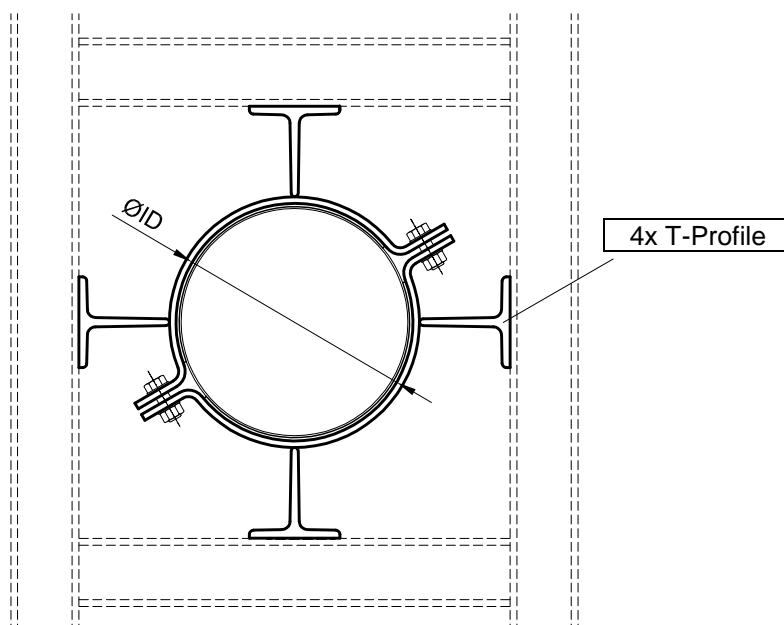
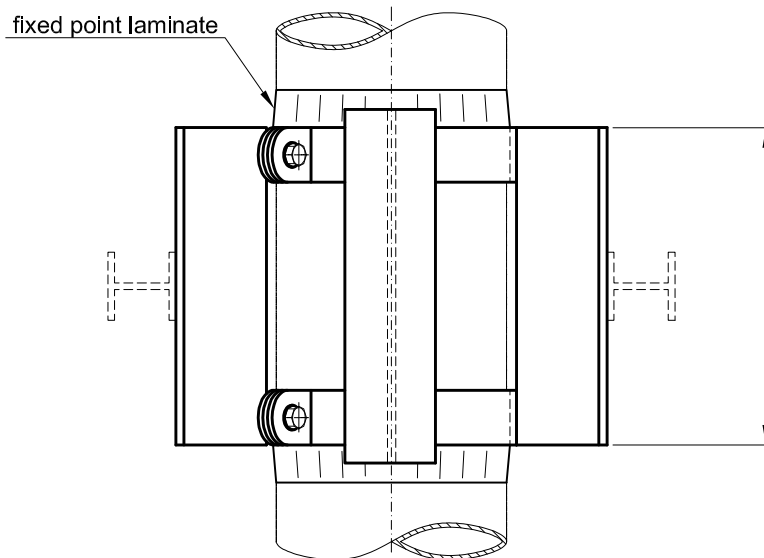
DN [mm]	250	300	350	400	450	500	600
H [mm]	244	270	298	324	350	376	428
Profile	T 100	T 100	T 100	T 100	T 100	T 100	T 100
L [mm]	350	350	350	400	400	400	400
Clamp profile [mm]	60x8	60x8	70x10	70x10	70x10	70x10	70x10
Weight [kg]	15,7	16,8	23	25,5	27,3	29,1	32,7
Ø ID WN 8251							
Piece							

Attention: Length H is only applicable to type K Pipe – PN10 Rohr with 3 mm rubber. With different pipe types this length can change slightly.

Clamp diameter = see WN 8251

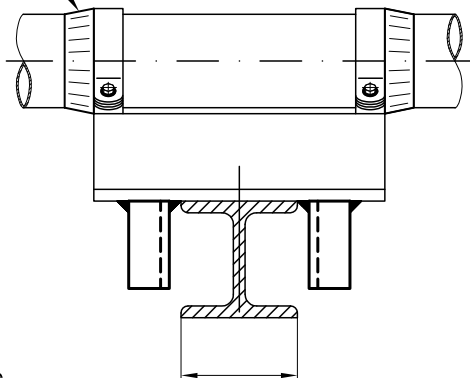


Thread length = beam width + 90 mm

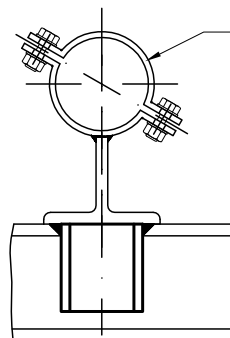


Clamp diameter see 8251-WN-en

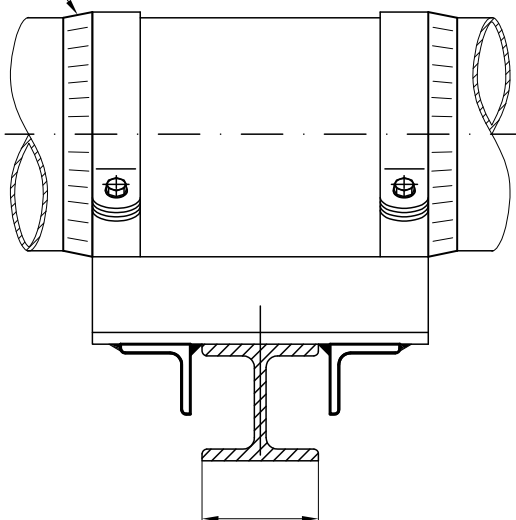
fixed point laminate



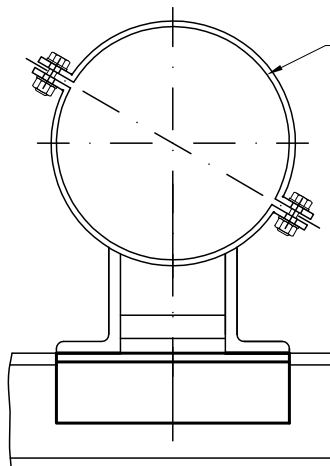
8001-WN-en
8003-WN-en

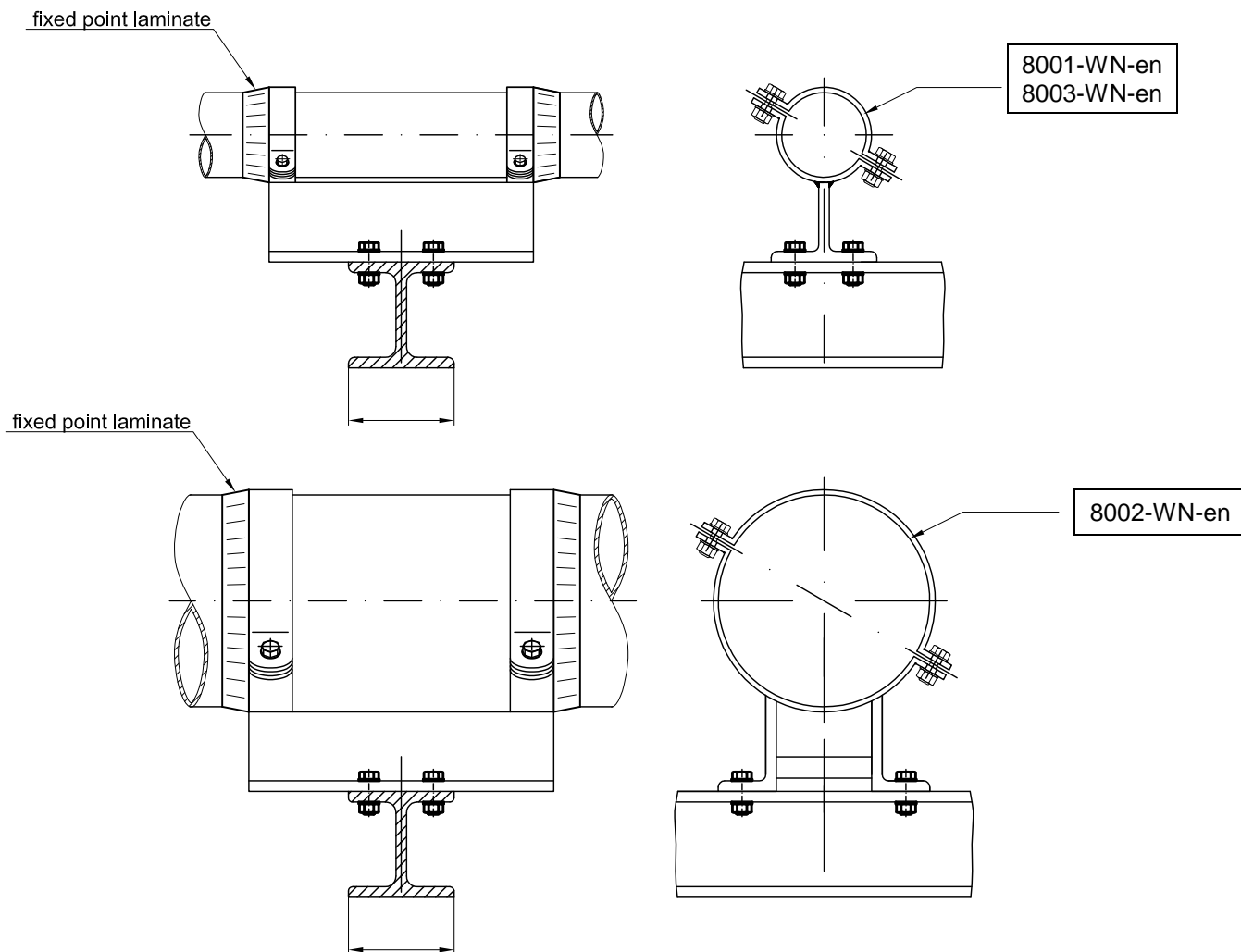


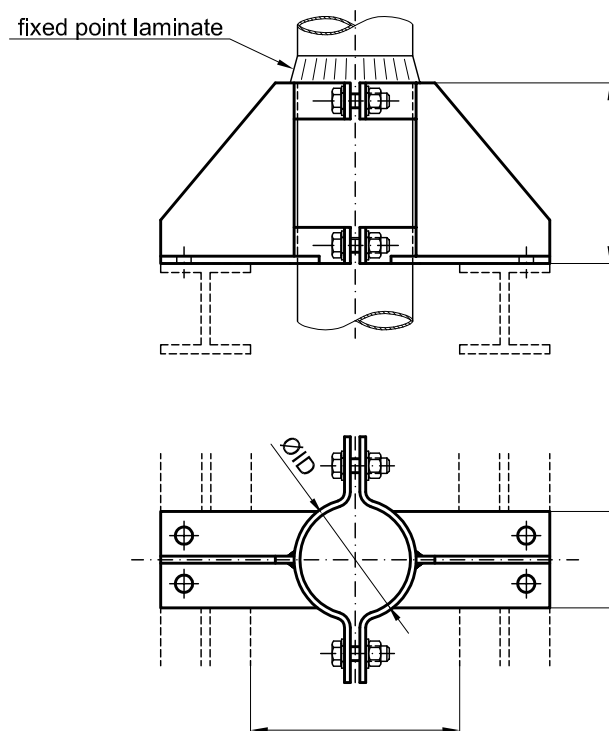
fixed point laminate



8002-WN-en

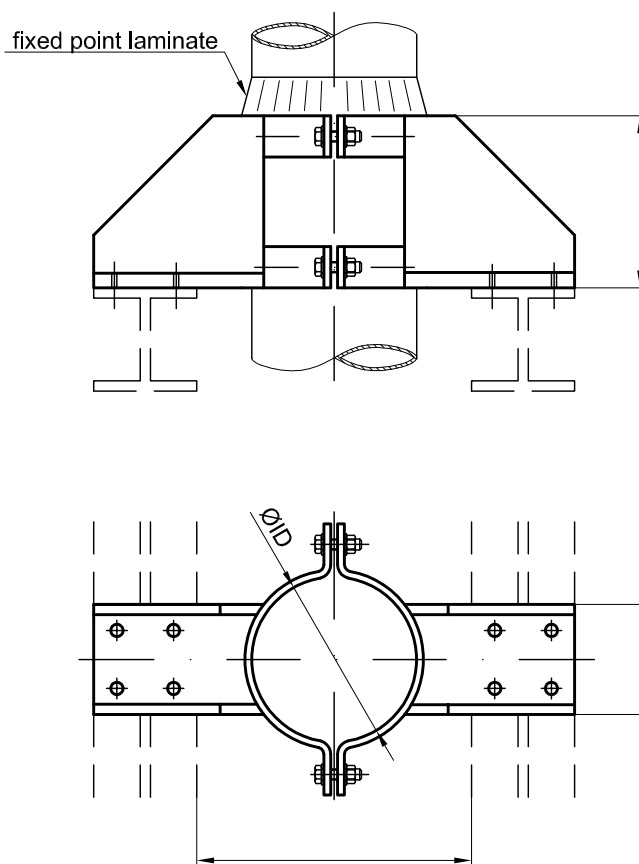






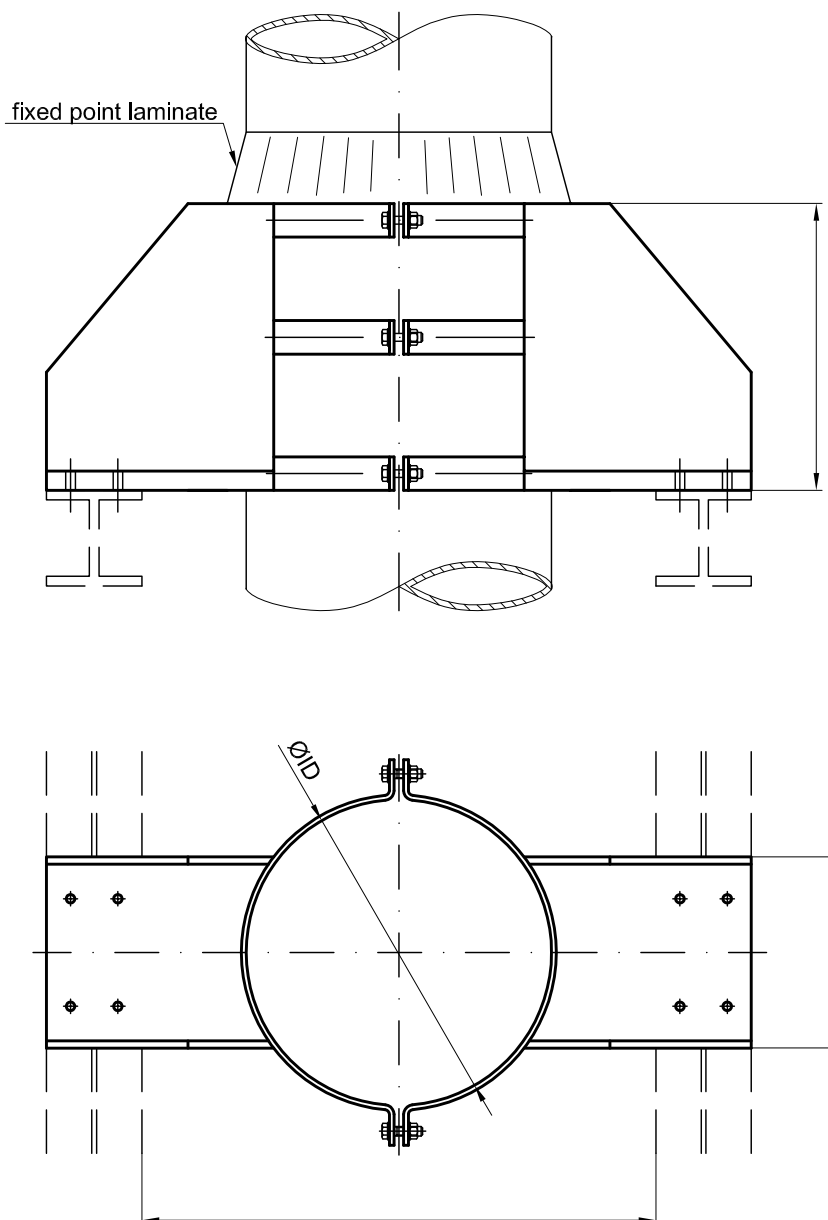
Field of application: fluid filled pipes from DN 25 to DN 125

Clamp diameter = see 8251-WN-en



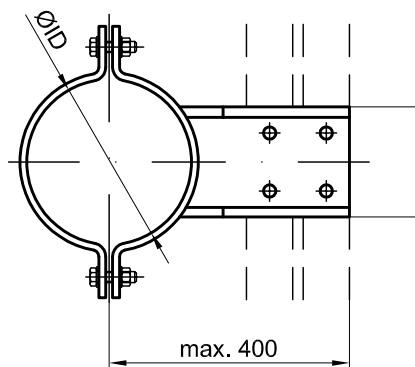
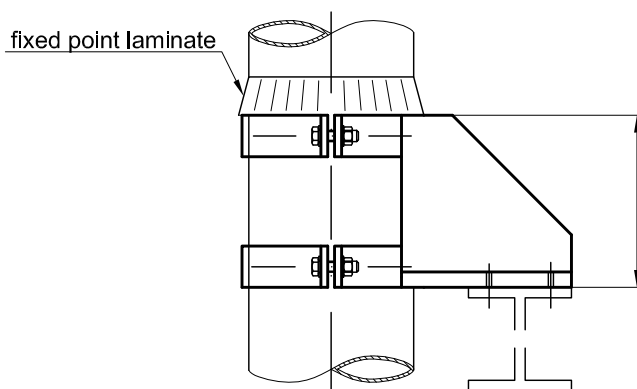
Field of application: fluid filled pipes from DN 150 to DN 300

Clamp diameter = see 8251-WN-en



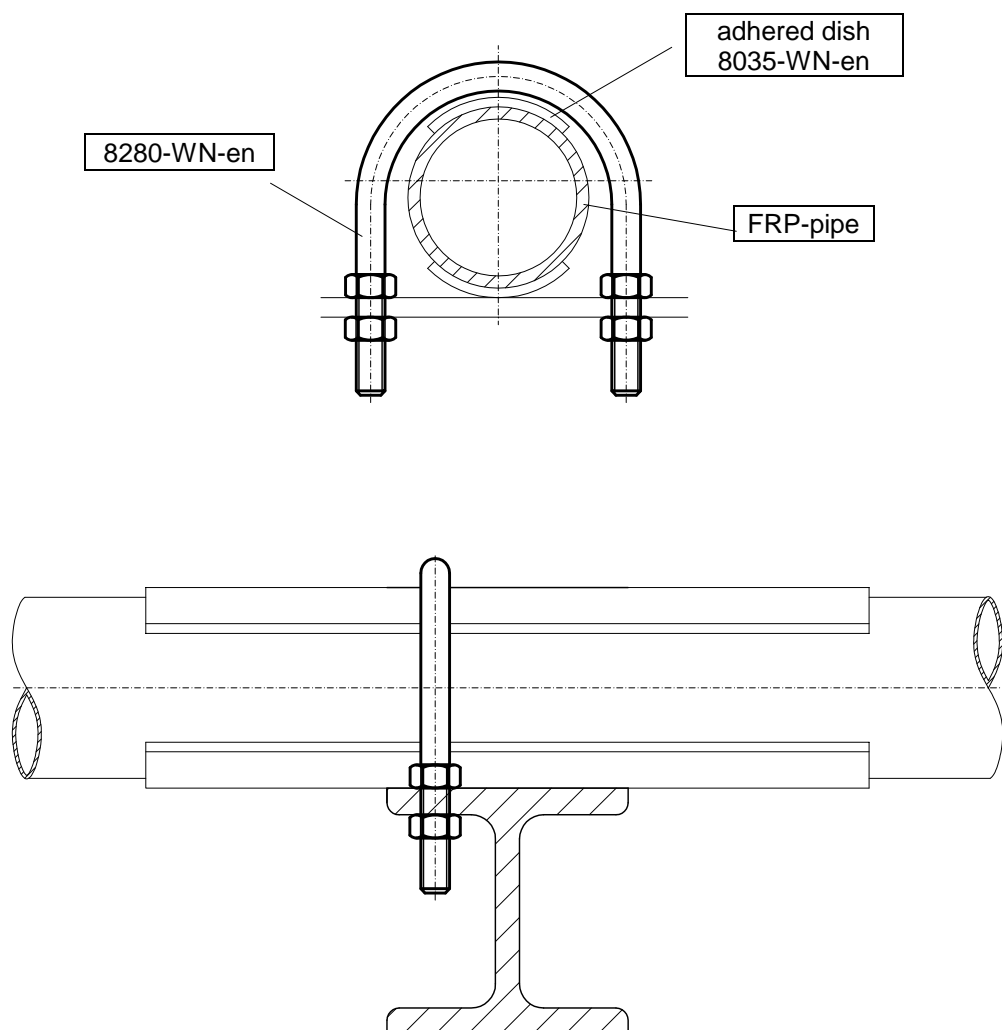
Field of application: fluid filled pipes from DN 350 to DN 600

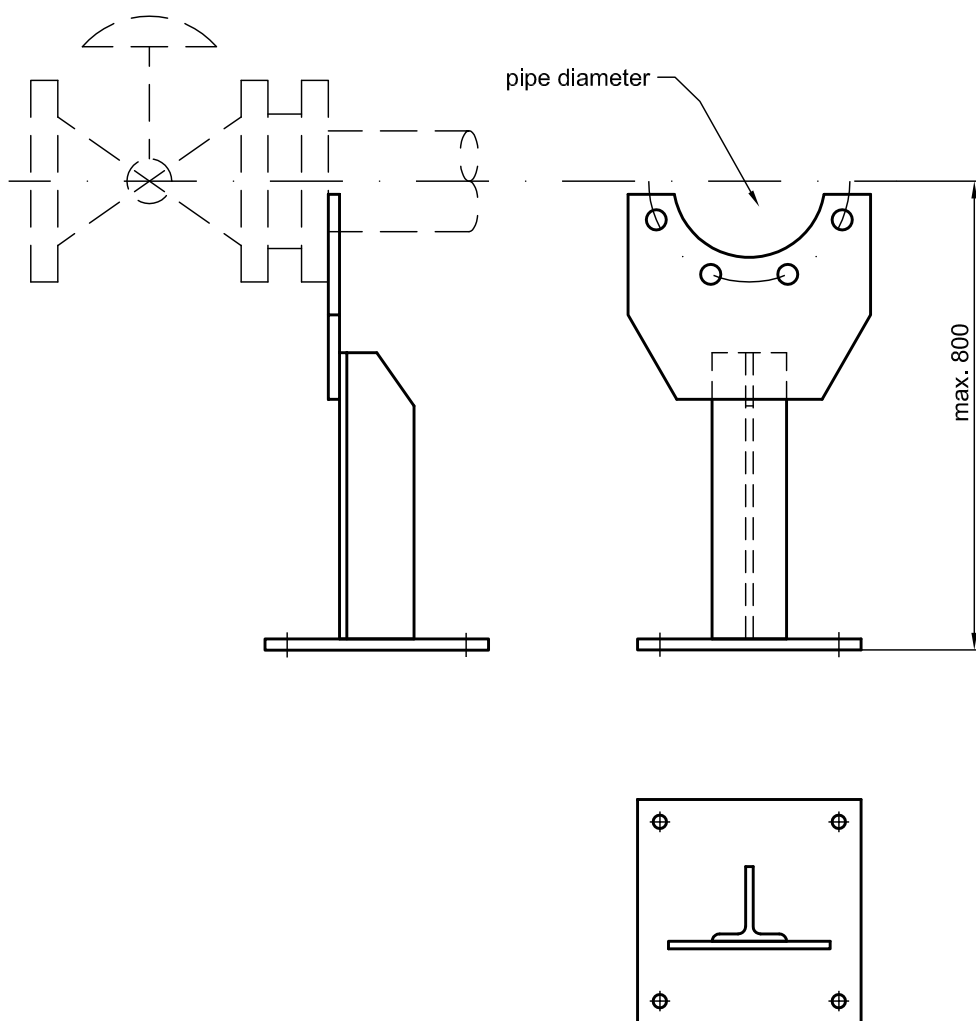
Clamp diameter = see 8251-WN-en

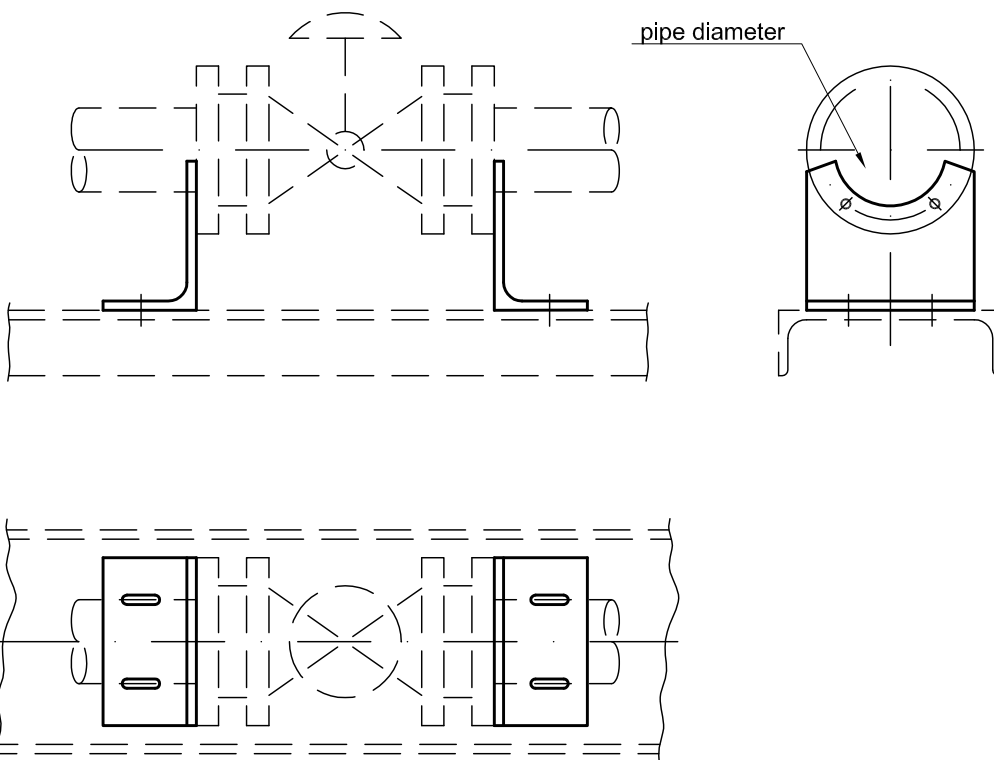


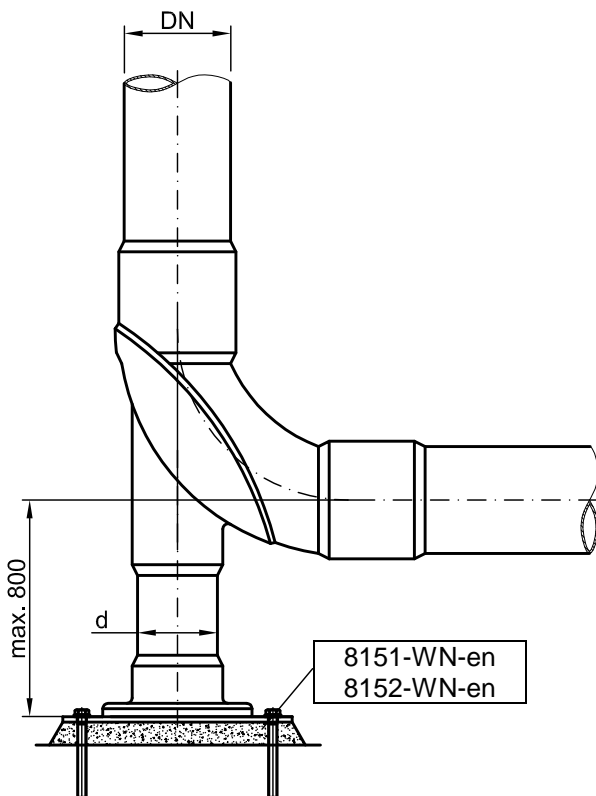
Field of application: fluid filled pipes from DN 150 to DN 300

Clamp diameter = see 8251-WN-en

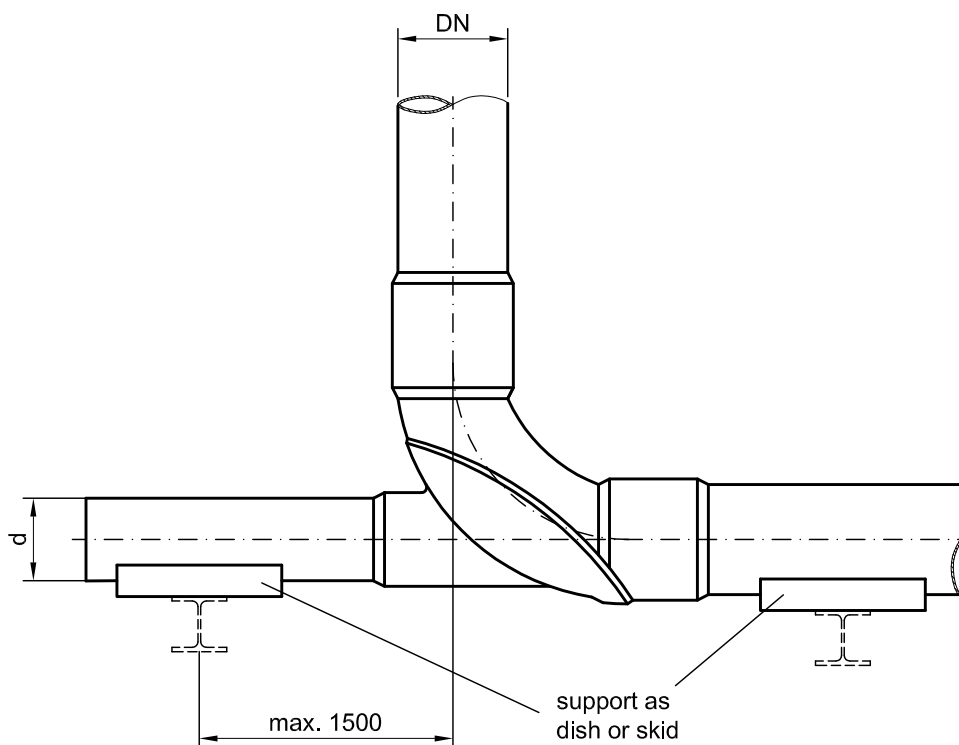




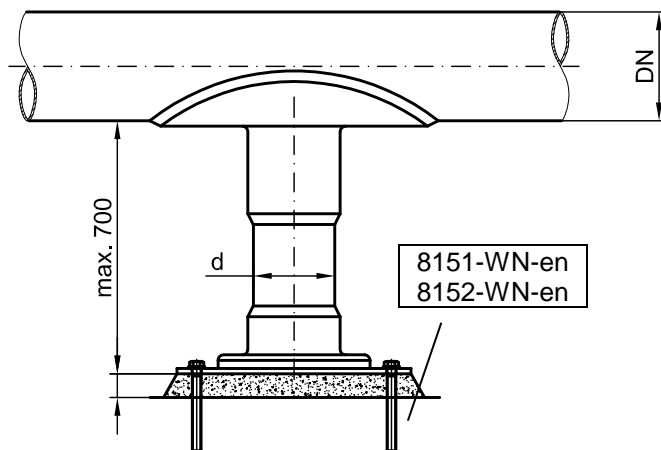




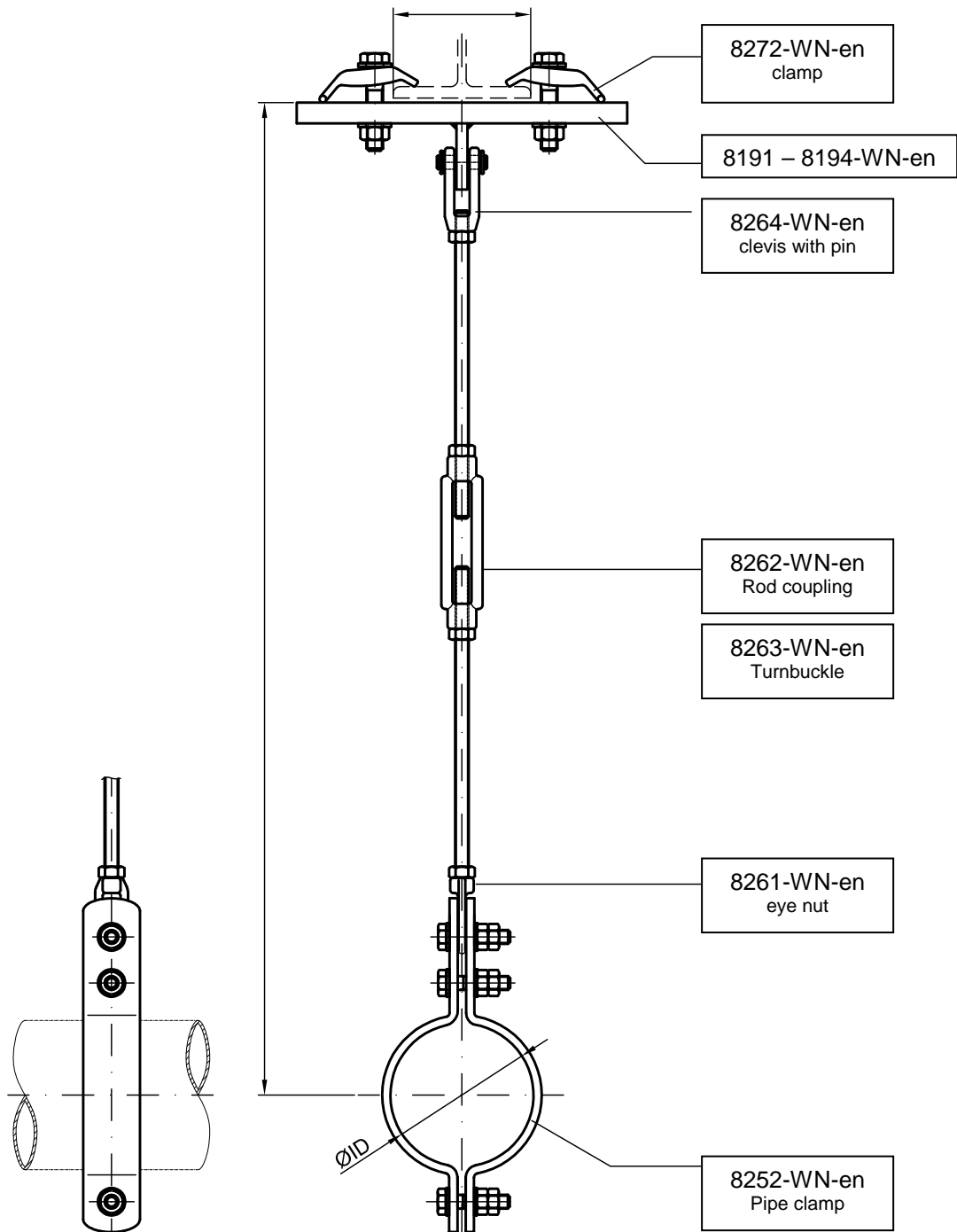
DN	d
25	25
32	32
40	40
50	50
65	65
80	80
100	100
125	125
150	150
200	200
250	200
300	250
350	300
400	300
450	300
500	350
600	400

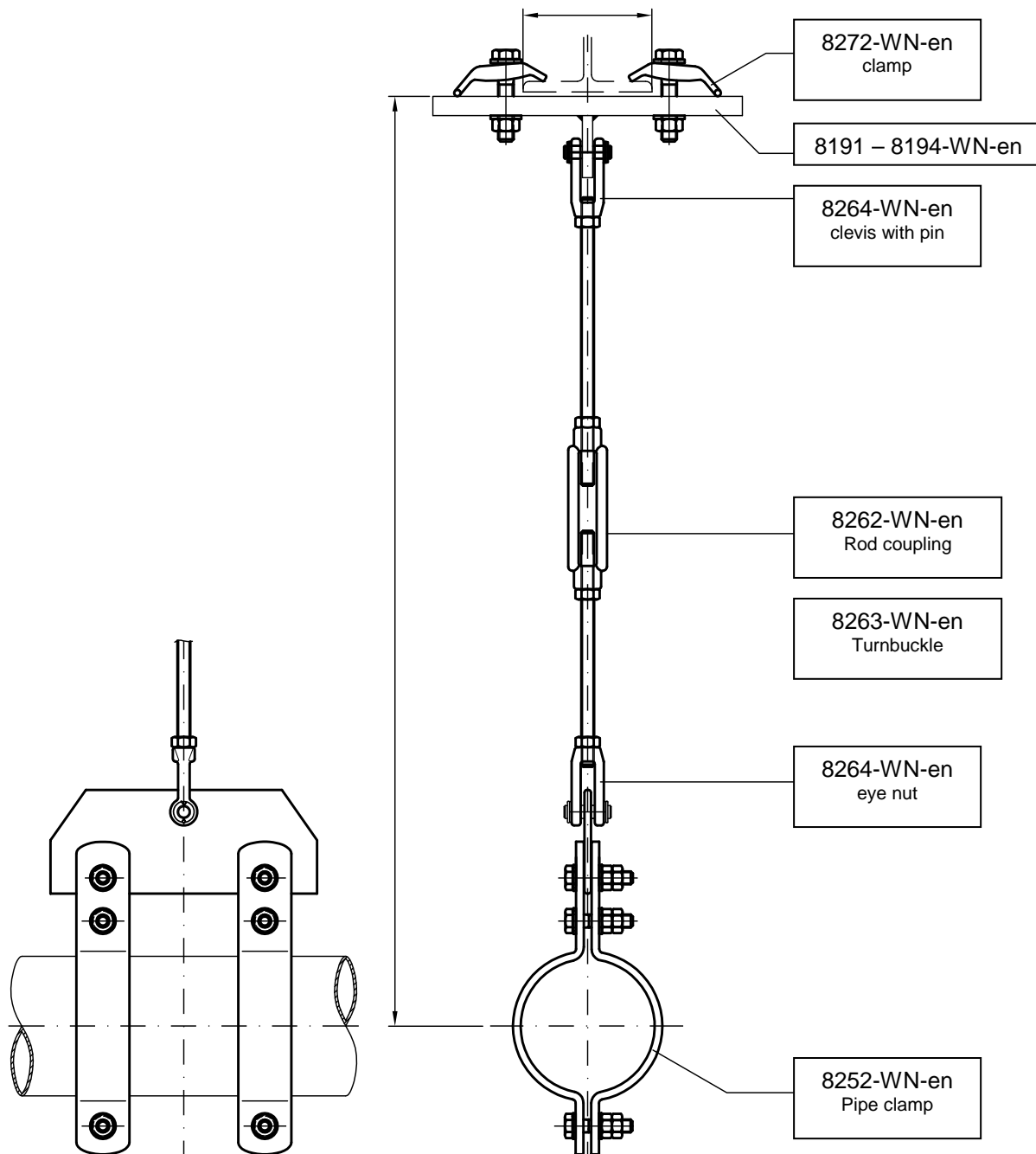


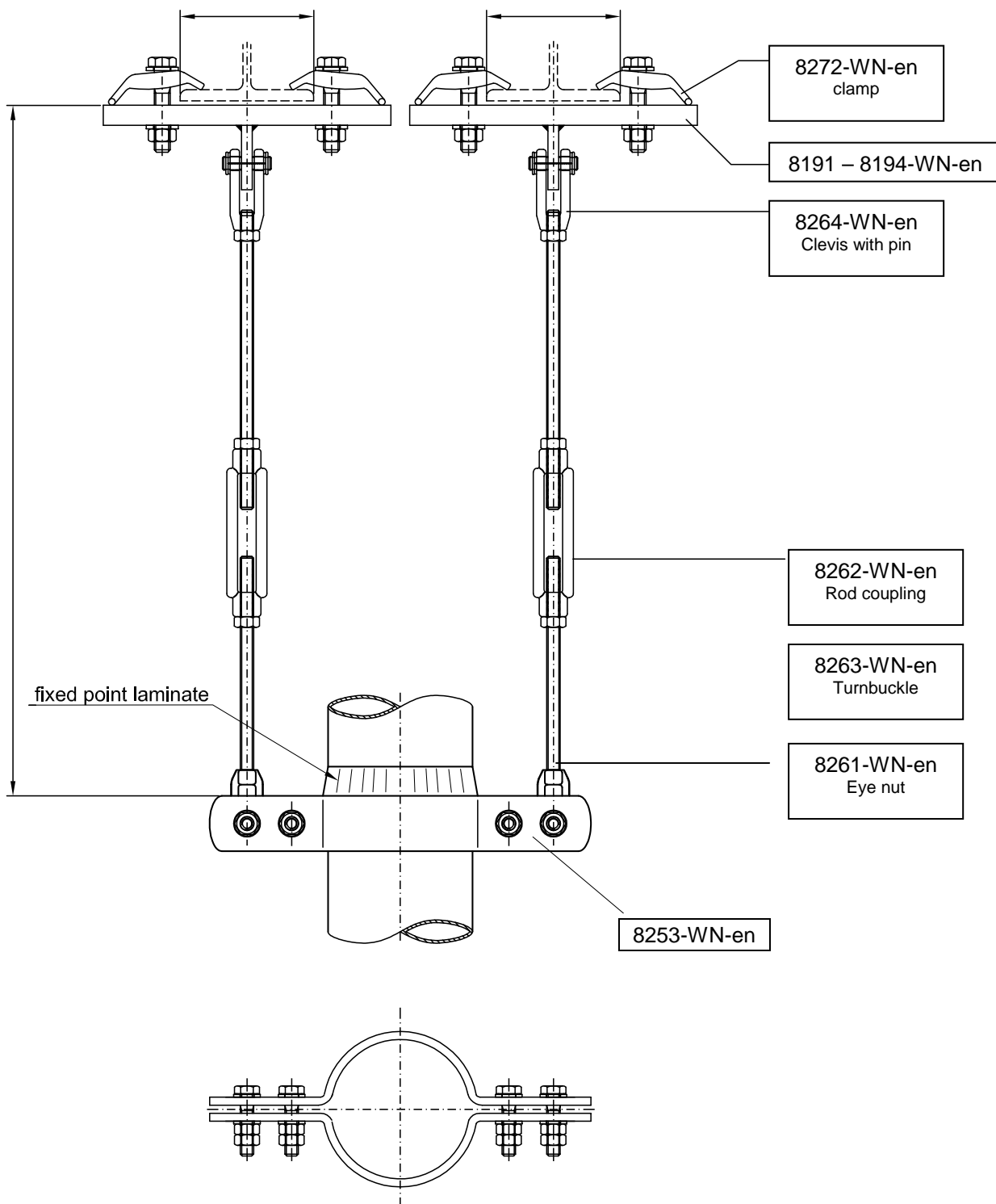
DN	d
25	25
32	32
40	40
50	50
65	65
80	80
100	100
125	125
150	150
200	200
250	250
300	300
350	350
400	400
450	450
500	400
600	400

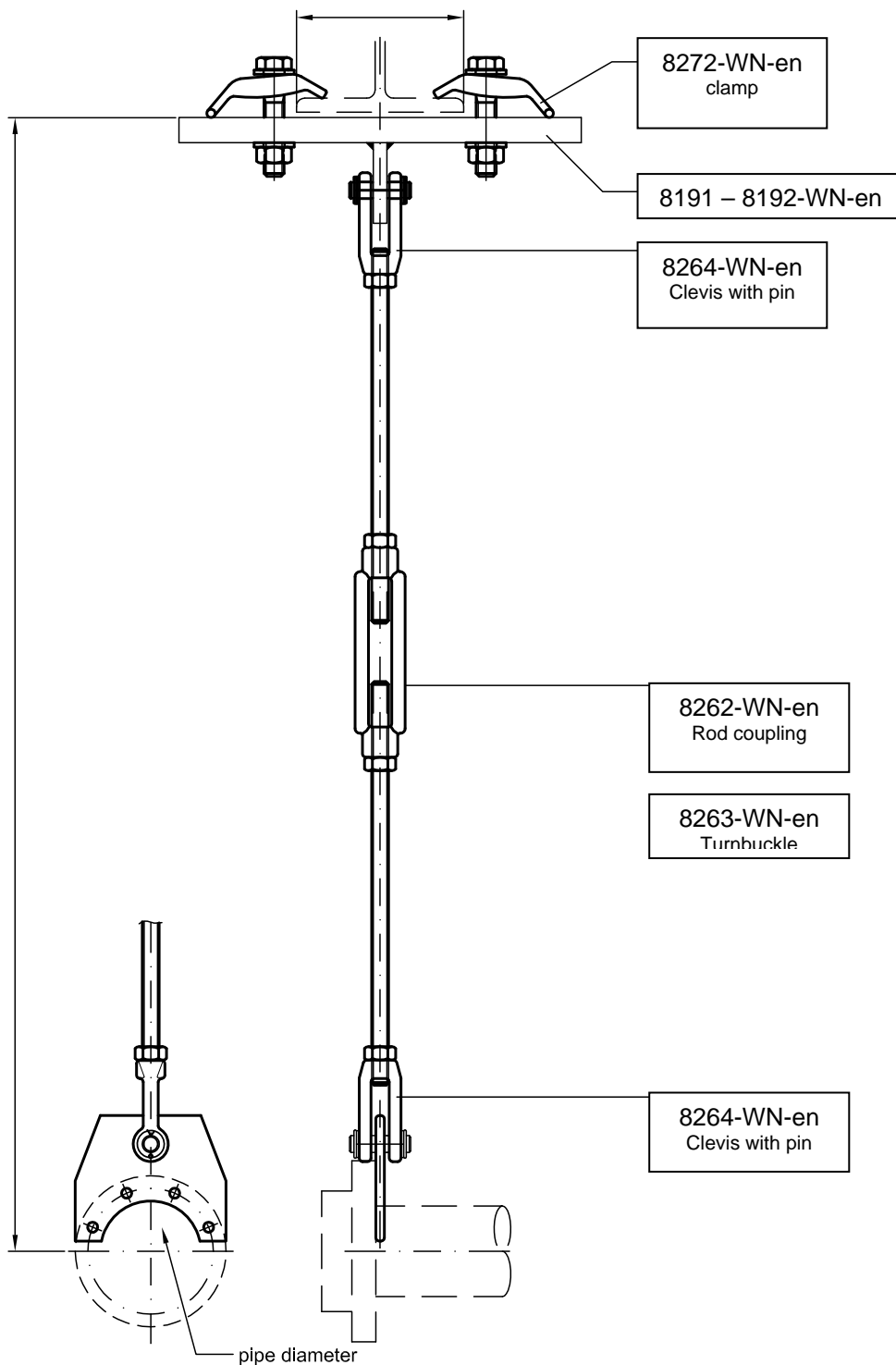


DN	d
25	25
32	32
40	40
50	50
65	65
80	80
100	100
125	125
150	150
200	150
250	150
300	150
350	150
400	200
450	200
500	250
600	250

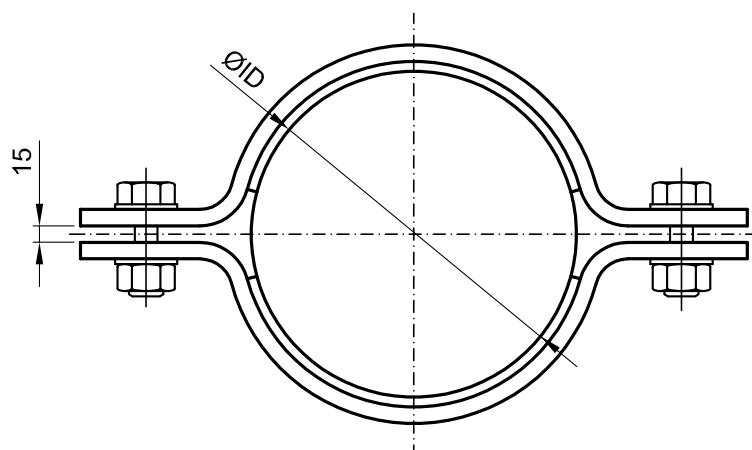








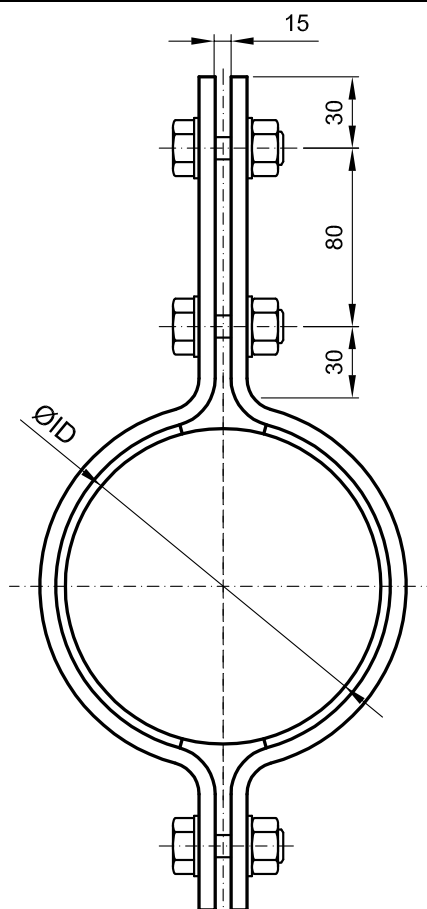
Company: _____
Comm.- No.: _____
Coating type: _____



DN [mm]	FRP				PP-FRP	PP	Steel	Screws
	Type K PN 6 [mm]	Type K PN 10 [mm]	Type K PN 16 [mm]	FRP-pipe DOW [mm]	PP-FRP PN 10 [mm]	PP-pipe [mm]	Steel pipe [mm]	
25			43	49	46	38	-	M 10
32			50	-	54	46	-	M 10
40			58	-	64	56	-	M 10
50			68	77	76	69	-	M 12
65			83	-	88	81	-	M 12
80			98	115	104	96	91	M 12
100			119	133	123	116	117	M 16
125		143	146	-	139	131	142	M 16
150	168	169	173	180	174	166	170	M 16
200	218	221	226	231	214	206	221	M 16
250	269	273	279	296	265	256	275	M 20
300	320	325	332	-	331	321	326	M 20
400	422	428	438	458	-	-	-	M 20
500	523	532	544	567	-	-	-	M 24
600	624	636	650	676	-	-	-	M 24

Clamp diameter including 3 mm rubber insert.

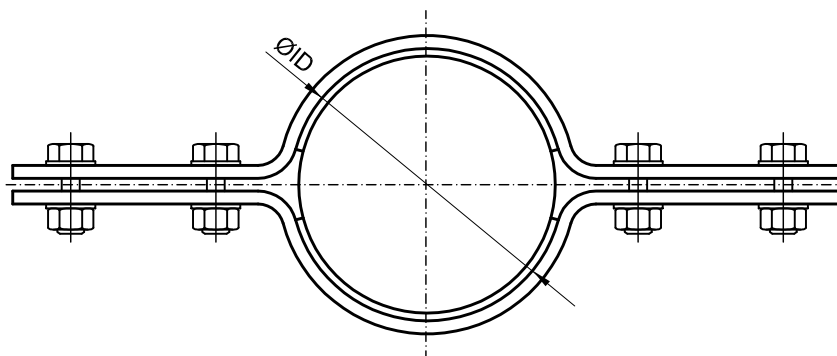
Company: _____
Comm.- No.: _____
Coating type: _____



DN [mm]	FRP				PP-FRP	PP	Steel	Screws
	Type K PN 6 [mm]	Type K PN 10 [mm]	Type K PN 16 [mm]	FRP-pipe DOW [mm]	PP-FRP PN 10 [mm]	PP-pipe [mm]	Steel pipe [mm]	
25			43	49	46	38	-	M 10
32			50	-	54	46	-	M 10
40			58	-	64	56	-	M 10
50			68	77	76	69	-	M 12
65			83	-	88	81	-	M 12
80			98	115	104	96	91	M 12
100			119	133	123	116	117	M 16
125		143	146	-	139	131	142	M 16
150	168	169	173	180	174	166	170	M 16
200	218	221	226	231	214	206	221	M 16
250	269	273	279	296	265	256	275	M 20
300	320	325	332	-	331	321	326	M 20
400	422	428	438	458	-	-	-	M 20
500	523	532	544	567	-	-	-	M 24
600	624	636	650	676	-	-	-	M 24

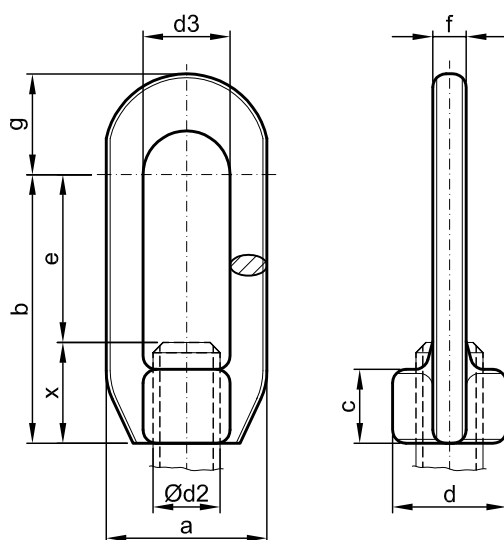
Clamp diameter including 3 mm rubber insert.

Company: _____
Comm.- No.: _____
Coating type: _____



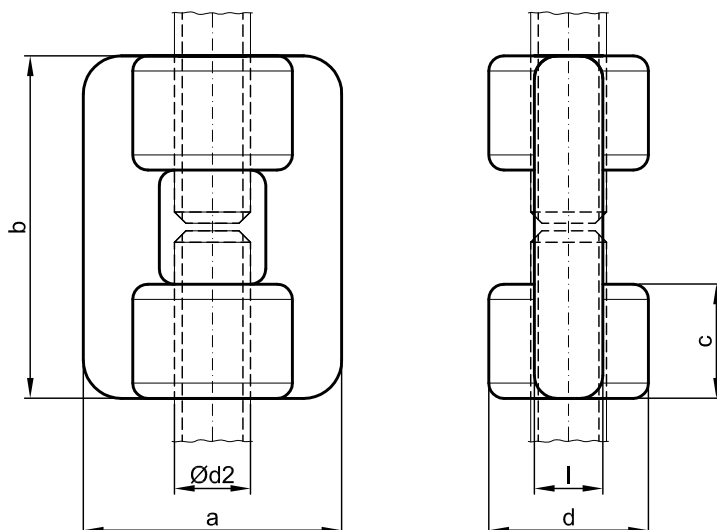
DN [mm]	FRP				PP-FRP	PP	Steel	Screws
	Type K PN 6 [mm]	Type K PN 10 [mm]	Type K PN 16 [mm]	FRP-pipe DOW [mm]	PP-FRP PN 10 [mm]	PP-pipe [mm]	Steel pipe [mm]	
25			43	49	46	38	-	M 10
32			50	-	54	46	-	M 10
40			58	-	64	56	-	M 10
50			68	77	76	69	-	M 12
65			83	-	88	81	-	M 12
80			98	115	104	96	91	M 12
100			119	133	123	116	117	M 16
125		143	146	-	139	131	142	M 16
150	168	169	173	180	174	166	170	M 16
200	218	221	226	231	214	206	221	M 16
250	269	273	279	296	265	256	275	M 20
300	320	325	332	-	331	321	326	M 20
400	422	428	438	458	-	-	-	M 20
500	523	532	544	567	-	-	-	M 24
600	624	636	650	676	-	-	-	M 24

Clamp diameter including 3 mm rubber insert.



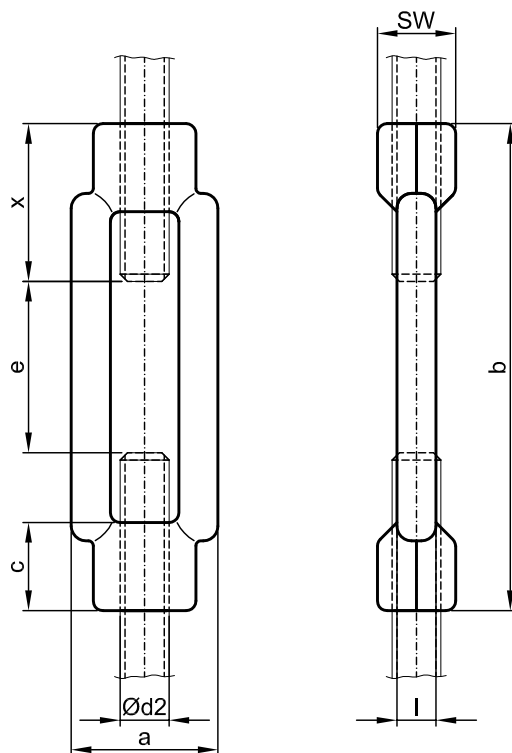
a [mm]	b [mm]	c [mm]	d [mm]	Ød2	d3 [mm]	e [mm]	f [mm]	g [mm]	x [mm]	Weight [kg]	F _N [kN]
24	40	11	17	M10	13	25	5	15	15	0,1	0,31
33	60	15	24	M12	17	40	6	19	20	0,1	1,25
44	75	20	30	M16	25	45	10	26	30	0,2	5,0
59	90	25	35	M20	29	55	10	35	35	0,5	10,0
72	110	30	44	M24	35	65	15	44	45	0,7	20,0

F_N = max. allowable statical loading



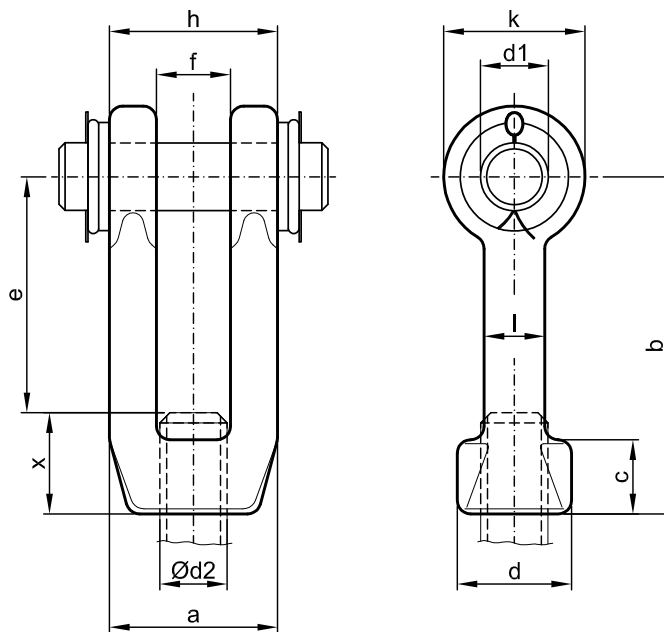
a [mm]	b [mm]	c [mm]	d [mm]	$\varnothing d_2$	l [mm]	Weight [kg]	F_N [kN]
34	45	15	21	M10	11x9	0,1	0,31
34	45	15	21	M12	11x9	0,1	1,25
42	60	20	27	M16	14x11	0,2	5,0
52	75	25	32	M20	17x14	0,5	10,0
62	90	30	39	M24	22x17	0,7	20,0

F_N = max. allowable statical loading



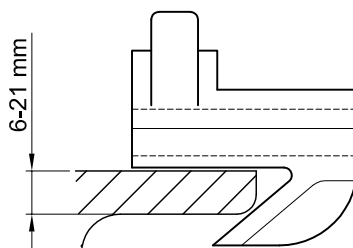
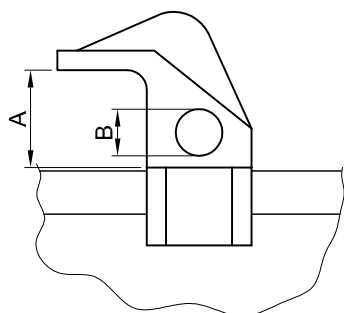
a [mm]	b [mm]	c [mm]	SW [mm]	$\varnothing d_2$	e [mm]	l [mm]	x [mm]	Weight [kg]	F_N [kN]
30	125	18	16	M10	35	9x8	45	0,1	0,31
34	125	21	18	M12	35	11x9	45	0,1	1,25
42	150	27	24	M16	50	14x11	50	0,2	5,0
52	170	33	30	M20	60	17x14	55	0,5	10,0
62	240	39	36	M24	80	22x17	80	0,7	20,0

F_N = max. allowable statical loading

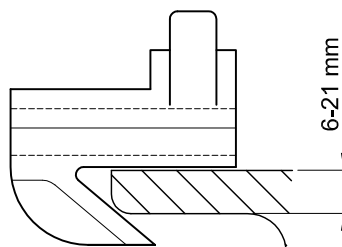
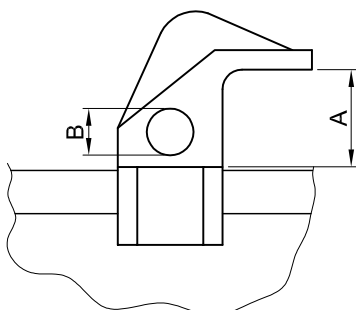


a [mm]	b [mm]	c [mm]	d [mm]	$\varnothing d1$ [mm]	$\varnothing d2$	e [mm]	f [mm]	h [mm]	k [mm]	l [mm]	x [mm]	F_N [kN]	Weight [kg]
23	50	11	17	10	M10	35	11	25	21	5x9	15	0,31	0,1
33	70	15	25	12	M12	50	12	34	24	8x12	20	1,25	0,2
42	80	20	33	16	M16	50	17	44	32	11x15	30	5,0	0,4
55	90	25	40	20	M20	55	20	57	46	16x21	35	10,0	1,0
65	110	30	46	24	M24	65	22	68	53	19x25	45	20,0	1,6

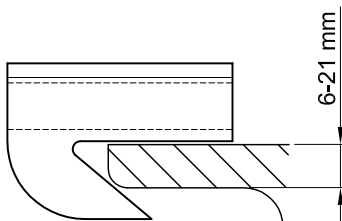
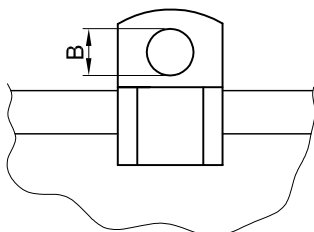
F_N = max. allowable statical loading



Type A

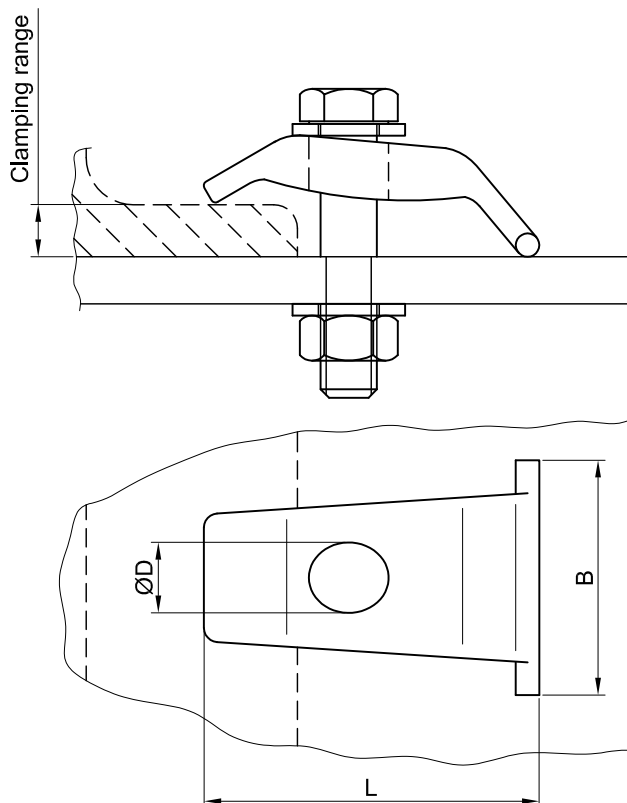


Type B

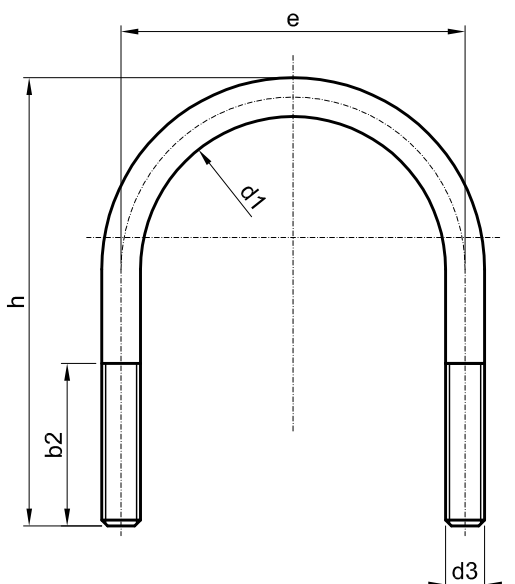


Type C

Type	A [mm]	B [mm]
8271 A	18	13
8271 B	18	13
8271 C	-	13



Clamping range [mm]	Ø D [mm]	L [mm]	B [mm]	G [kg]	F _N [kN]	Tightening torque [Nm]
1 - 33	13	62	50	0,23	5,0	85
1 - 33	17	69	50	0,25	7,0	150



DN [mm]	d1 [mm]	b2 [mm]	d3	e [mm]	h [mm]	Weight [kg]
50	88,9	50	M12	106	138	0,2
80	114,3	60	M16	136	171	0,5
100	133,0	60	M16	164	191	0,6
150	159,0	60	M16	192	217	0,7
200	219,1	70	M20	248	283	0,8