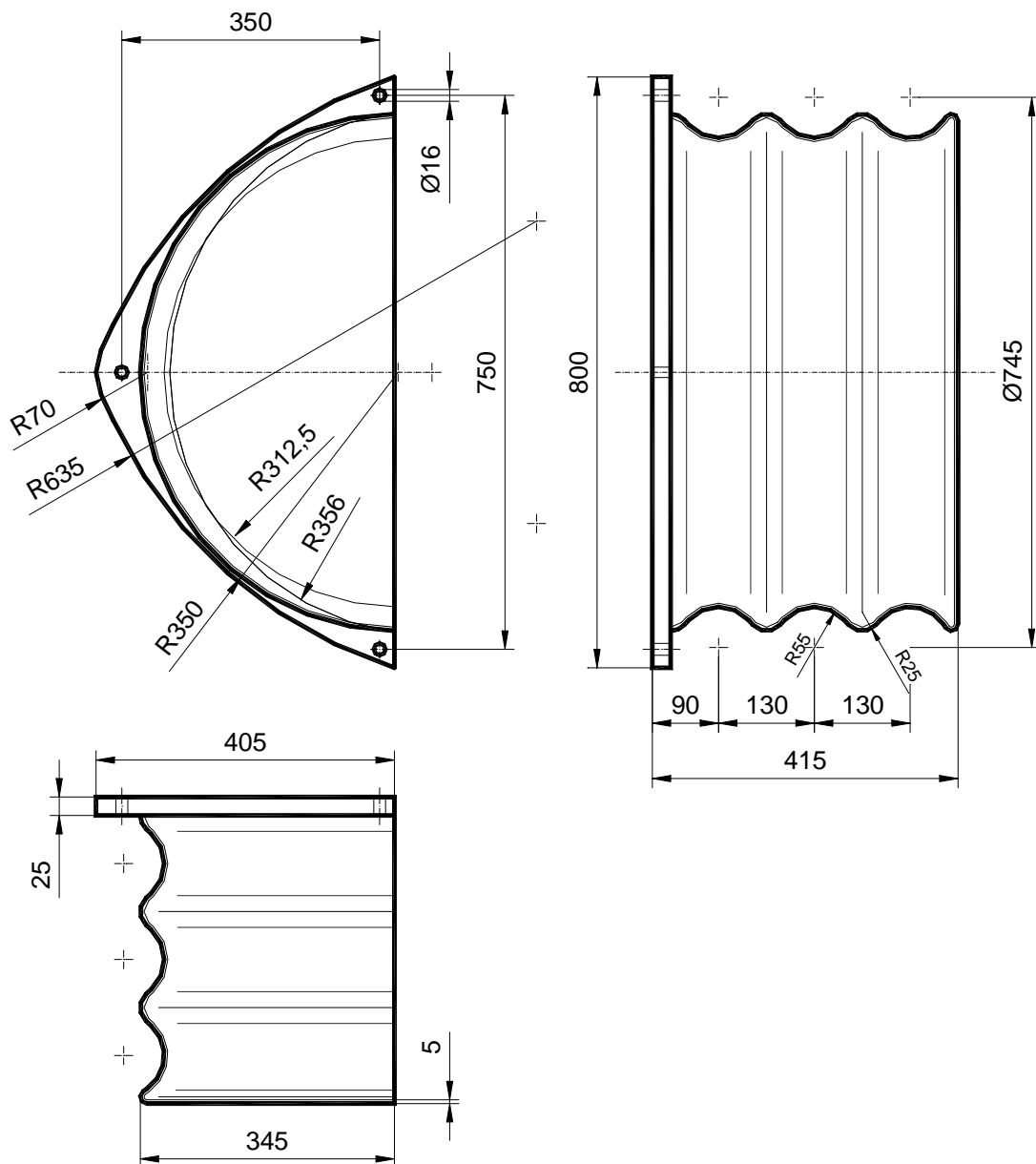
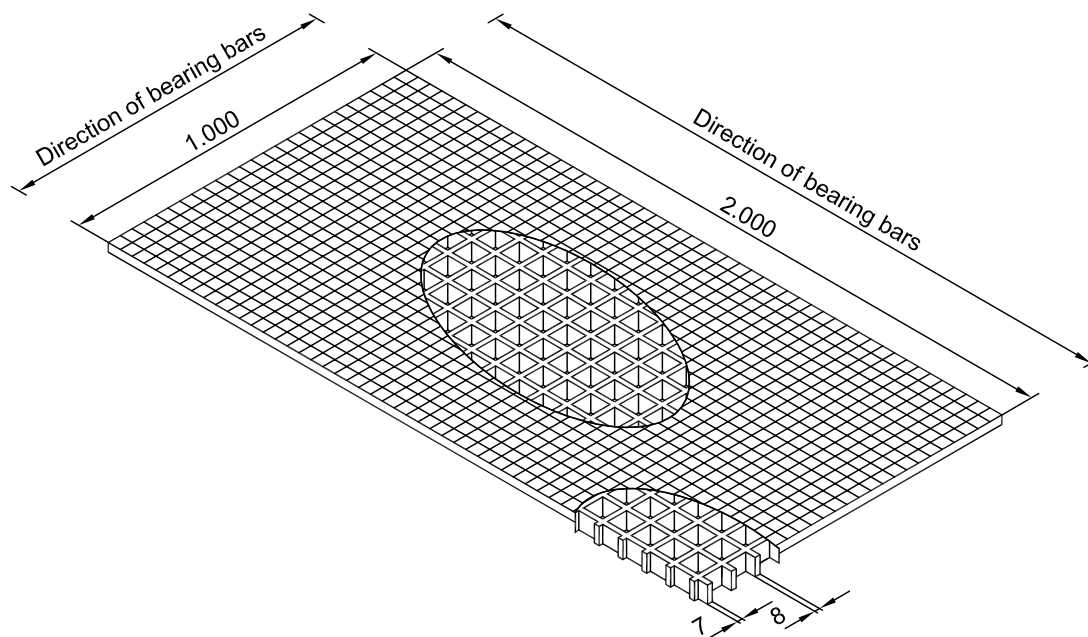


hose support according to DOW-Spec. G4G-6800-01

tone:

RAL 1018 (zinc yellow)  
RAL 5015 (azure)





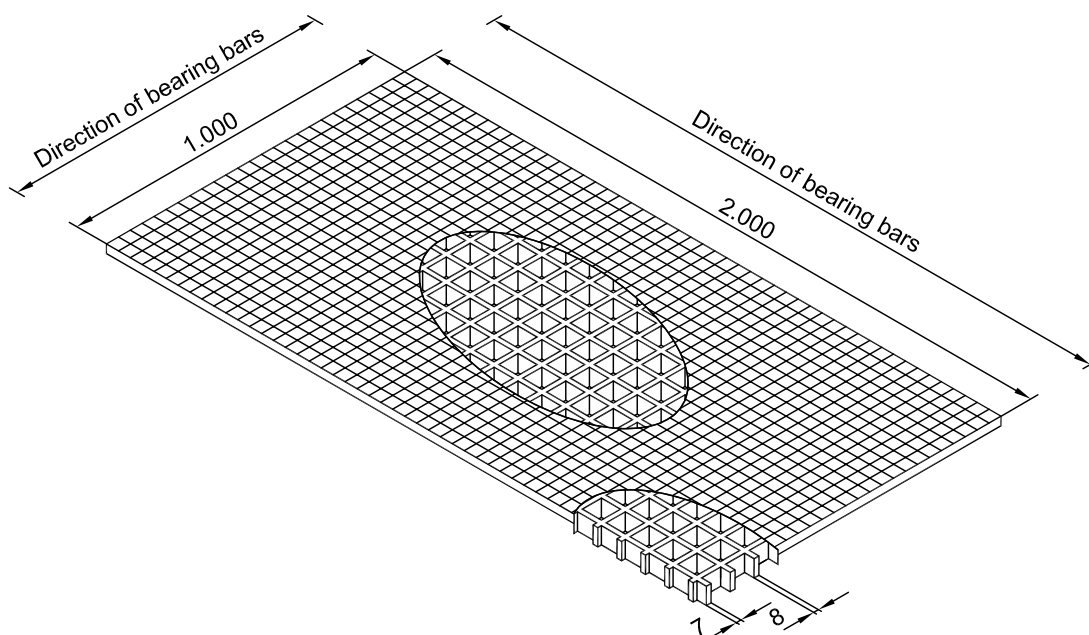
Dimension	2000*1000	mm
Mesh width	40*40	mm
Grate thickness	28	mm
Permeable area	64	%
Baton thickness	7 / 8	mm
Surface	2	m <sup>2</sup>
Weight	15	kg/m <sup>2</sup>

Load capacity					
Distance between supports [mm]	Concentrated load [kg] width 90 cm	Distributed load [kg/m <sup>2</sup> ]	Deflection [mm]	Concentrated load [kg] width 90 cm	Deflection [mm]
1000	556	617	11	250	9
900	713	880	10	500	11
600	2150	3981	10	1390	11

Remarks:

- 1.) Can be delivered in version „antiskid“, thickness + 1mm.
- 2.) Can be delivered in several resin types:
 

a. Derakane 411-45	c. Isophthalic acid resin
b. 510-A40	d. Bisphenol resin
- 3.) Can be delivered with closed surface, thickness + 4mm.



Dimension	2000*1000	mm
Mesh width	40*40	mm
Grate thickness	38	mm
Permeable area	64	%
Baton thickness	7 / 8	mm
Surface	2	m <sup>2</sup>
Weight	19,5	kg/m <sup>2</sup>

Load capacity					
Distance between supports [mm]	Concentrated load [kg] width 90 cm	Distributed load [kg/m <sup>2</sup> ]	Deflection [mm]	Concentrated load [kg] width 90 cm	Deflection [mm]
1000	705	880	6	560	6
900	950	1170	6	695	6
600	3160	5860	8	2140	8

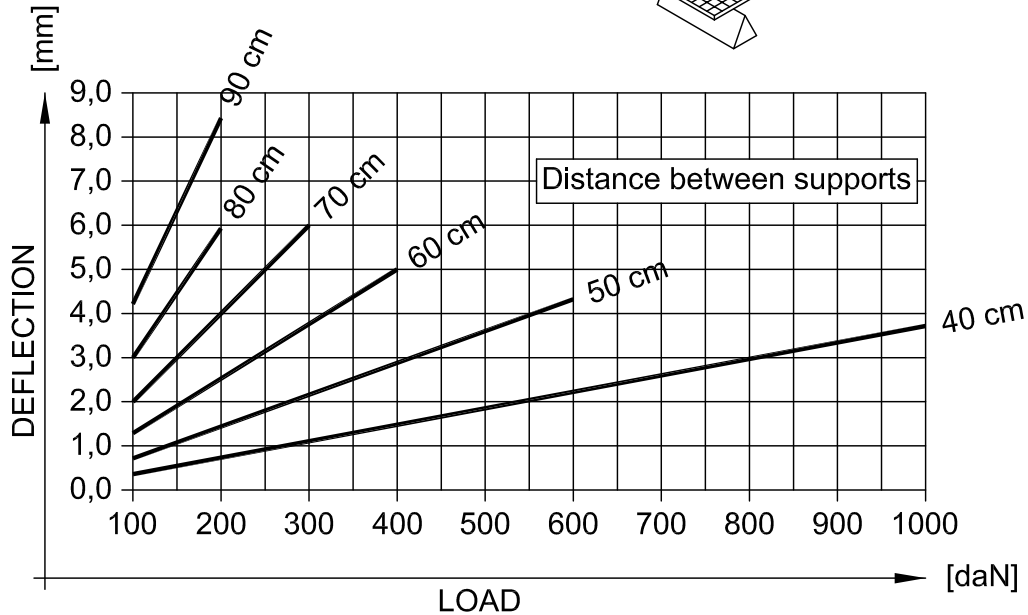
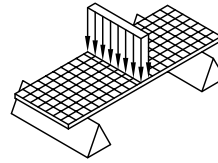
Remarks:

- 1.) Can be delivered in version „antiskid“, thickness + 1mm.
- 2.) Can be delivered in several resin types:
 

a. Derakane 411-45	c. Isophtalic acid resin
b. 510-A40	d. Bisphenol resin
- 3.) Can be delivered with closed surface, thickness + 4mm.

**CONCENTRATED LOAD**

Testing grates 100 cm width between supports



**DISTRIBUTED LOAD**

Testing grates 100 cm width between supports

